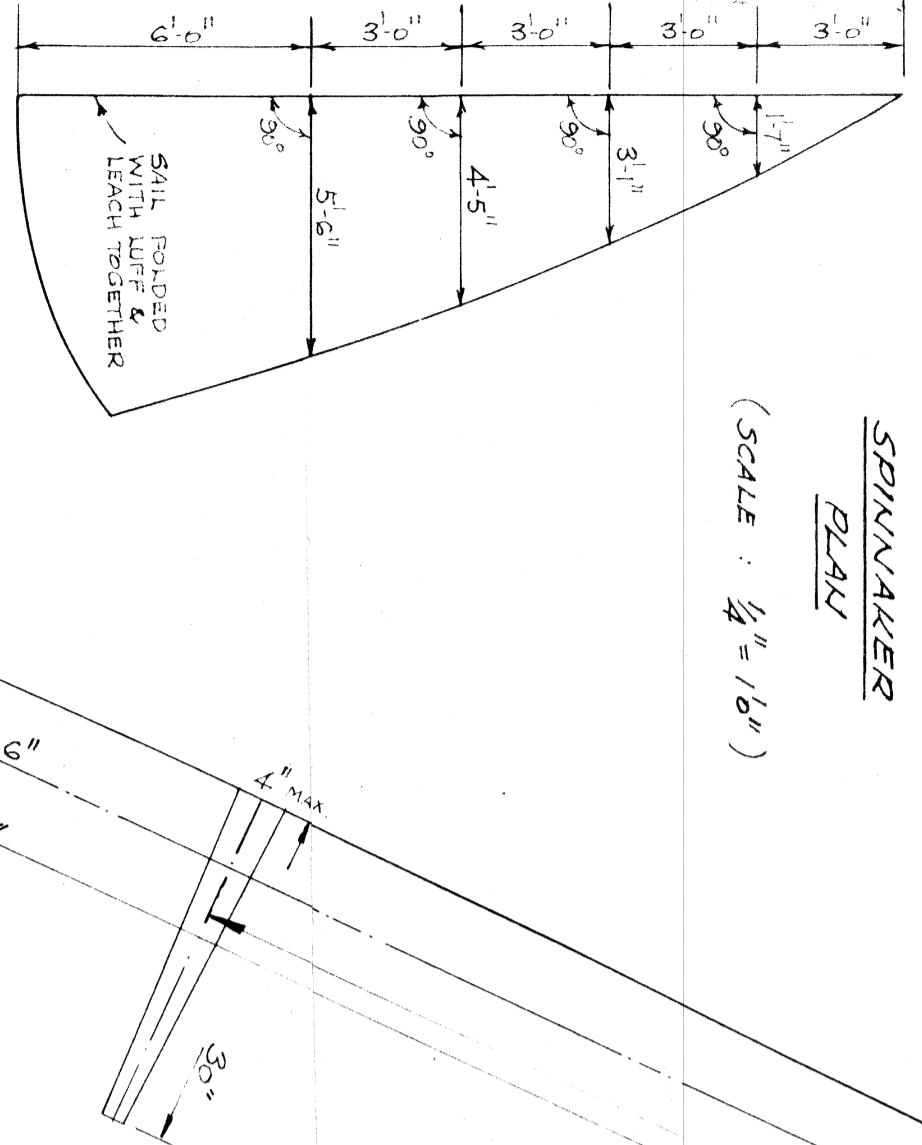
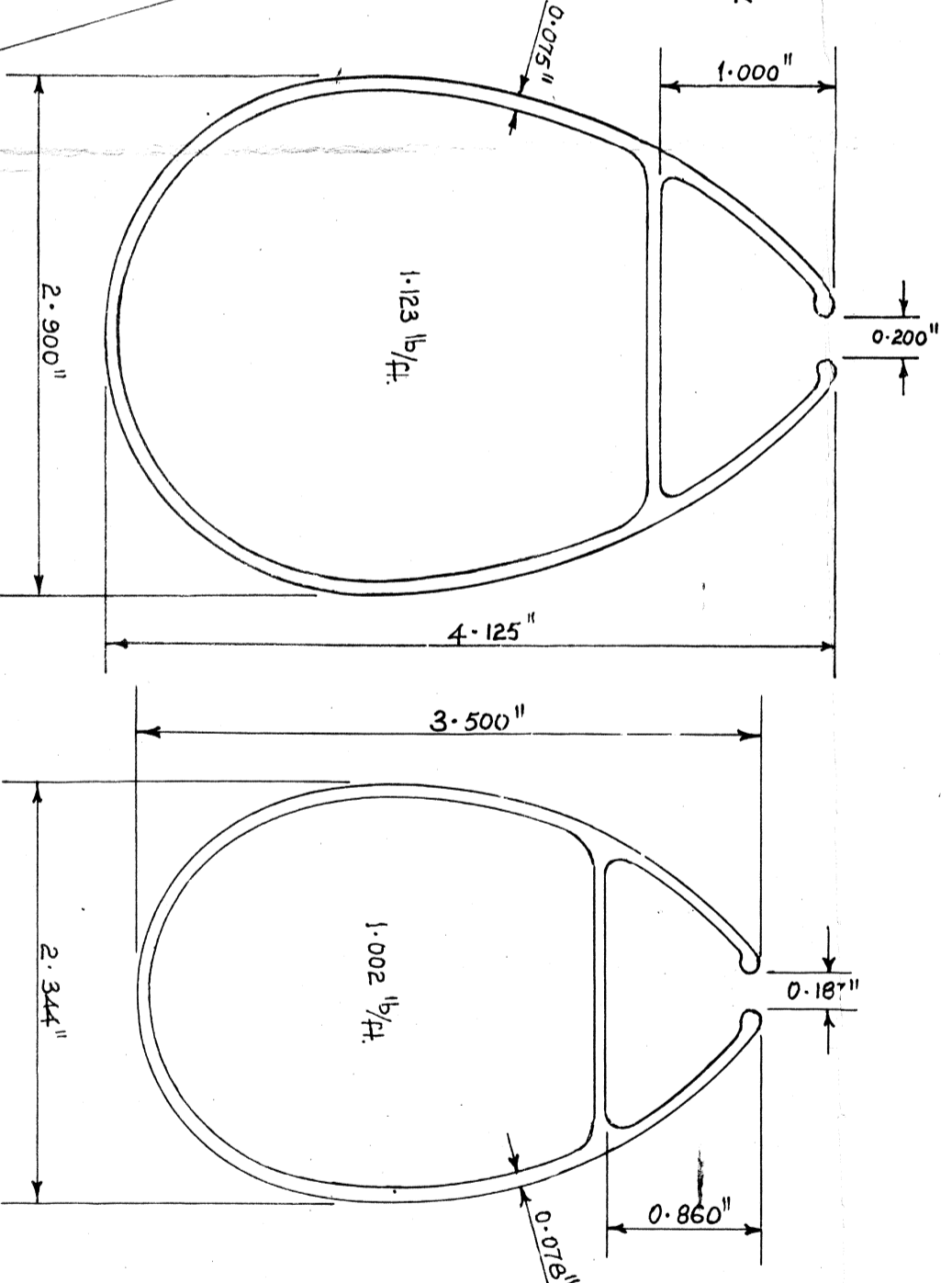


INSTRUCTIONS FOR MEASUREMENT OF SPINNAKERS

LUFF & LEACH, WHICH MUST BE 15.0" MINIMUM RESPECTIVELY, THE CHOICE OF THE FOOT TO BE 14 FEET & THE VERTICAL HEIGHT OF THE SAIL 17 FEET 6 INCHES MINIMUM. THE VERTICAL FULLNESS CONSTRUCTED INTO THE SAIL SHALL BE CONTROLLED BY MEASUREMENTS TAKEN AS FOLLOWS: FOLD THE SAIL SO AS TO BRING THE LUFF & LEACH TOGETHER AND STRETCH THEM TIGHT. MARK ONE CORNER (UPPER INTER-HEAD OF THE SAIL AND WITH THESE AT RIGHT ANGLES TO THE LUFF & LEACH AND WITH BOW PARTS OF THE SAIL STRETCHED HAND TIGHT) THE POINTS TO BE MARKED CENTRING THE CORNER OF THE SAIL. THESE MARKS/REMARKS SHALL NOT EXCEED THOSE SHOWN ON THE PLAN.



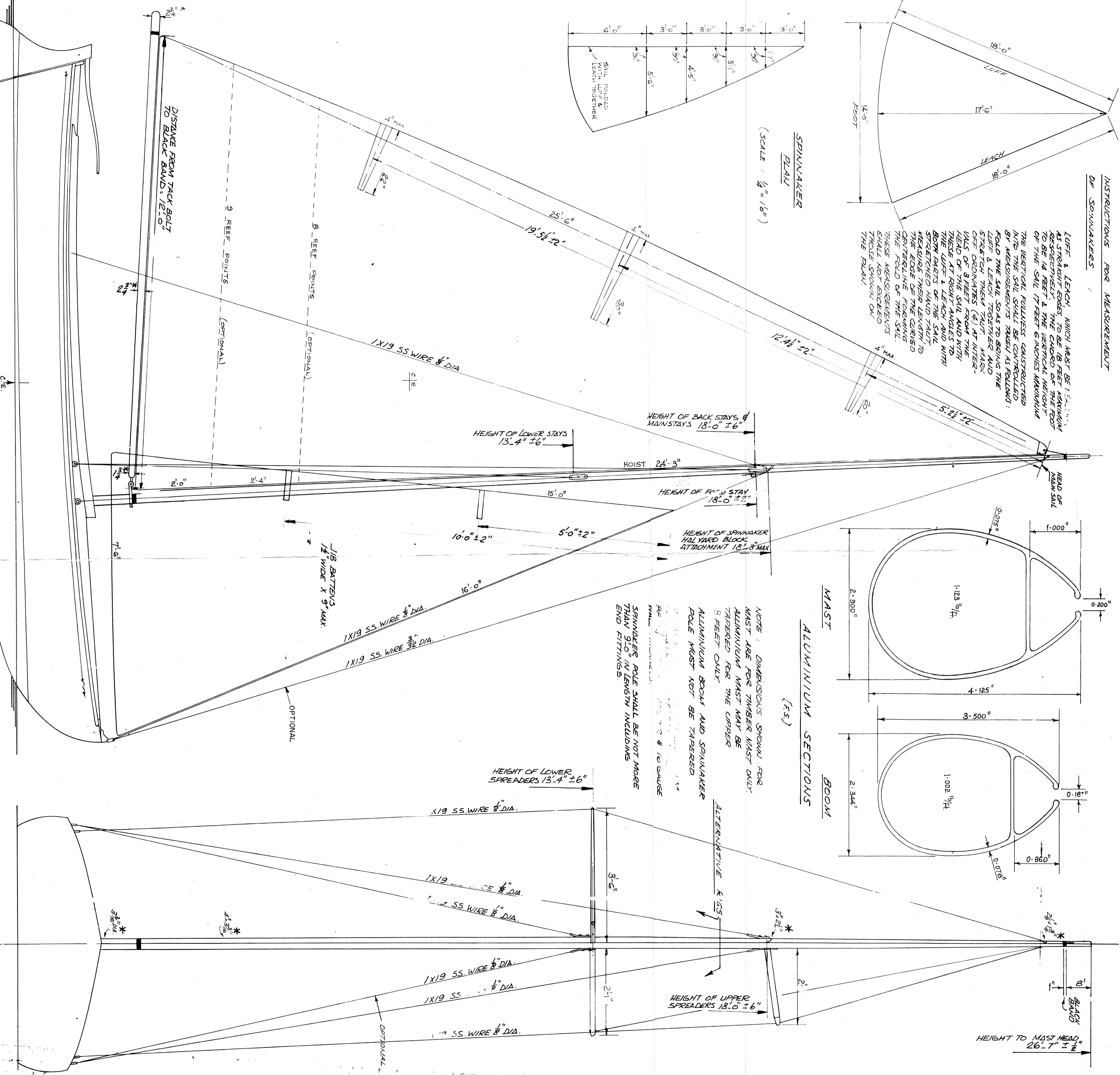
SPINNAKER PLAN
(SCALE: 1/4" = 1'-0")



MAST ALUMINUM SECTIONS (F.S.)
BOOM

NOTE: DIMENSIONS SHOWN FOR MAST ARE FOR TIMBER MAST ONLY. ALUMINUM MAST MAY BE TAPERED FOR THE UPPER STEEL ONLY. ALUMINUM BOOM AND SPINNAKER POLE MUST NOT BE TAPERED. SPINNAKER POLE SHALL BE NOT MORE THAN 9/16" IN LENGTH INCLUDING END FITTINGS.

ALTERNATIVE K 1/35



NOTE: * INDICATES WOODEN SPARS DIMENSIONS. RIGGING SIZES SHOWN ARE RECOMMENDED. HEIGHT OF ATTACHMENT OF RIGGING SHALL BE AS SHOWN AND SHALL BE MEASURED FROM DECK IMMEDIATELY IN FRONT OF THE MAST TO THE POINT WHERE WIRE OR ITS EXTENSION MEETS THE MAST.

WARNING: THIS DRAWING MUST NOT BE SEALED - DIMENSIONS SHOWN SHOULD BE INDICATED ONLY BOATS WHICH CONFORM ACCORDANTLY TO THE PLAN AND SPECIFICATIONS OF THE JUBILEE CLASS WILL BE ELIGIBLE FOR ADMISSION TO THE CLASS.